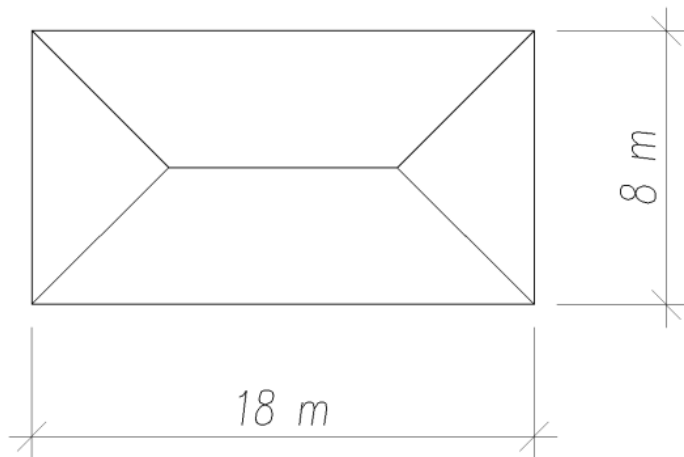


Architectural and Structural CADD and Graphics Technician

Spatial Visualization Sample Problem

Good hand/eye coordination, spatial visualization and technical aptitude are necessary. Students applying to the program should be able to visualize and independently solve problems similar to the one below.

Hip roof shown on a plan view below has a 6 in 10 slope. Find the area of the roof:



Answer =167.8 sq.m.